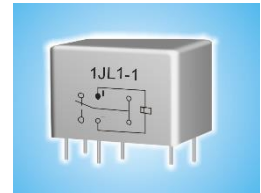


1JL1-1 Miniature Sensitive Electromagnetic Relay

The relay is small in size, high in sensitivity and large in life margin, and can be used for switching circuits and transmission signals of autonomous systems such as aerospace, aviation, communications, radar, and computers.



❖ Environmental Characteristics

| No. | Parameter | | Environmental Specification | | |
|-----|-----------------------|---------------------|-----------------------------|---------|-----|
| 1 | Quality Grade | | ①, G | | |
| | | | I | II | IV |
| 2 | Temperature Range | (°C) | -55~85 | | |
| 3 | Relative Humidity | | (40±2) °C, 90%~95% | | |
| 4 | Low Pressure | (kPa) | 40 | | |
| 5 | Sinusoidal Vibration | (Hz) | 10~500 | 10~2000 | |
| | | (m/s ²) | 98 | 147 | 196 |
| 6 | Shock | (m/s ²) | 245 | 490 | 735 |
| 7 | Constant Acceleration | (m/s ²) | 245 | 490 | 735 |

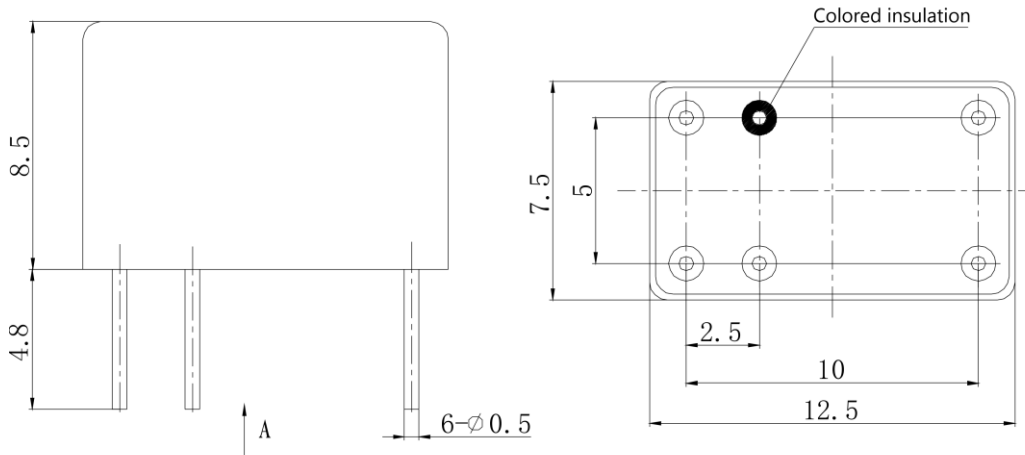
❖ Main Characteristics

| | | | | | |
|-----------------------------------|---------------------|---------------------|---------------------|-----------|---------------------------------------|
| Contact Arrangement | | SPDT | Operating Time (ms) | | ≤5 |
| Coil Power (W) | | ≤0.2 | Release Time (ms) | | ≤5 |
| Leak Rate (Pa.cm ³ /s) | | ≤1×10 ⁻² | Load Ratings | Resistive | 1A, 28Vd.c. (1×10 ⁴ times) |
| Contact Resistance (Ω) | Initial | ≤0.1 | | | 50mA, 28Vd.c. |
| | After Life | ≤0.15 | Life Time (Cycles) | | 1×10 ⁵ |
| Insulation Resistance (MΩ) | Normal | ≥100 (250Vd.c.) | Overload rating | | Resistive, 0.1A, 28Vd.c., 100 times |
| | High Temp./Humidity | ≥10 (250Vd.c.) | | | |
| Dielectric Strength (50Hz) | Normal | ≥500 | Weight (g) | | ≤4 |
| | Low pressure | -- | | | |

❖ Electrical Specification

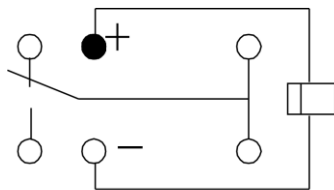
| Coil Voltage (V d.c.) | 25 °C | | | Overall Temperature Range | |
|-----------------------|---------------------------|--------------------------------|------------------------------|--------------------------------|------------------------------|
| Rating | Coil resistance (1±10%) Ω | Operating Voltage V d.c. (max) | Release Voltage V d.c. (min) | Operating Voltage V d.c. (max) | Release Voltage V d.c. (min) |
| 12 | 1000 | 8.0 | 0.8 | 10.5 | 0.4 |
| 24 | 4000 | 17.0 | 2.5 | 22.0 | 1.0 |
| 28 | 4000 | 18.0 | 2.5 | 24.0 | 1.0 |

❖ **Dimensions:**

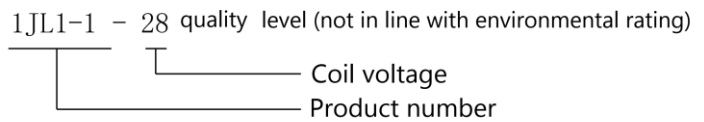
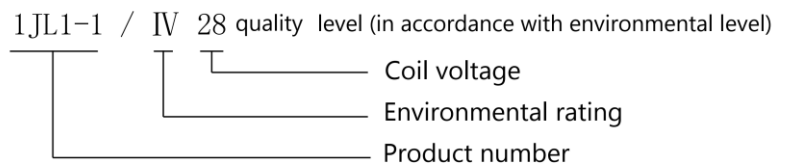


Note: Vibration sensitive direction: horizontal

❖ **Circuit Diagram**



❖ **Order Mark**



Detailed specification: RY4.520.047JT

❖ **Resistive Load Diagram**

